

1064nm Collimated Beam Output Isolator 5W ~ 20W



Features

High Isolation & High Power Handling
 Low Polarization Dependent Loss
 Low Insertion Loss & High Return Loss
 Excellent Environmental Stability and Reliability

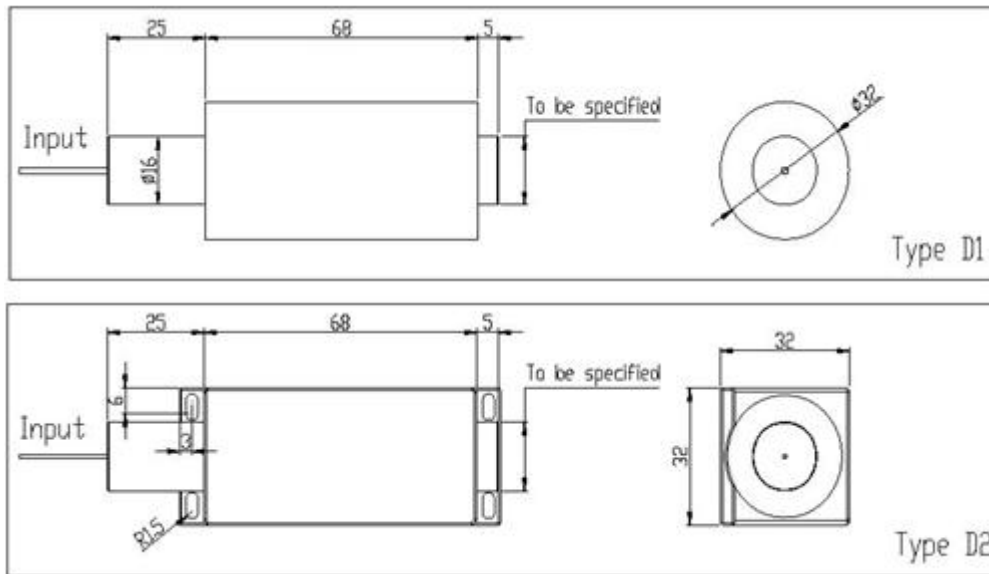
Applications

Fiber Amplifier
 Fiber Laser
 Instrumentation Applications
 Lab Research

Performance Specifications

Parameters	Unit	Values
Center Wavelength (λ_c)	nm	1064 or Specify
Operating Wavelength Range	nm	± 10
Typ. Peak Isolation	dB	30~35
Min. Isolation at 23°C	dB	25
Typ. Transmission	-	93%
Min. Transmission	-	90%
Min. Return Loss	dB	50
Max. Polarization Dependent Loss	dB	0.1
Nominal Output Beam Diameter ($1/e^2$)	mm	0.5, 1, 5, 8, 10 or Specify
Max. Optical Power (CW)	W	5, 10, 20 or Specify
Fiber Type		HI 1060 or Specify
Operating Temperature	°C	-5 to +50
Storage Temperature	°C	-20 to +75

Size



Ordering Information

HPICI-①①-②②-③③-④④-⑤⑤-⑥

①①: Wavelength

06 - 1064nm

SS - Specify

②②: Package Type

D1 - Type D1

D2 - Type D2

③③: Handling Power

05 - 5W

10 - 10W

20 - 20W

SS - Specify

④④: Output Beam Diameter

05 - 0.5mm

10 - 1mm

50 - 5mm

80 - 8mm

100 - 10mm

SS - Specify

⑤⑤: Fiber Jacket on Port 1 & 2

L - 900um Loose Tube

C - 3mm Loose Cable

A - 3mm Armoured Cable

B - 6mm Armoured Cable

S - Specify

⑥: Fiber Length

1.0 - 1.0m

S - Specify